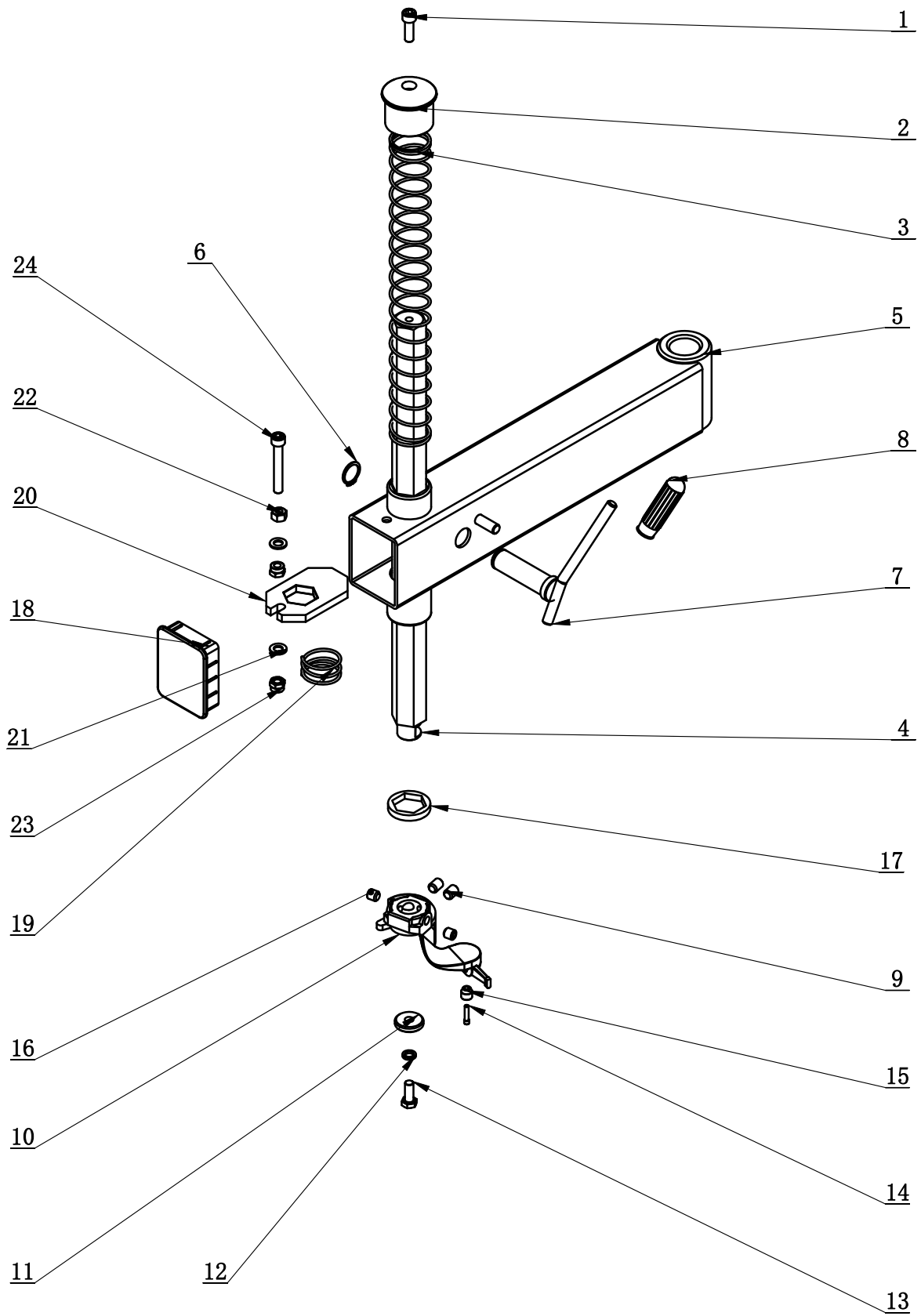
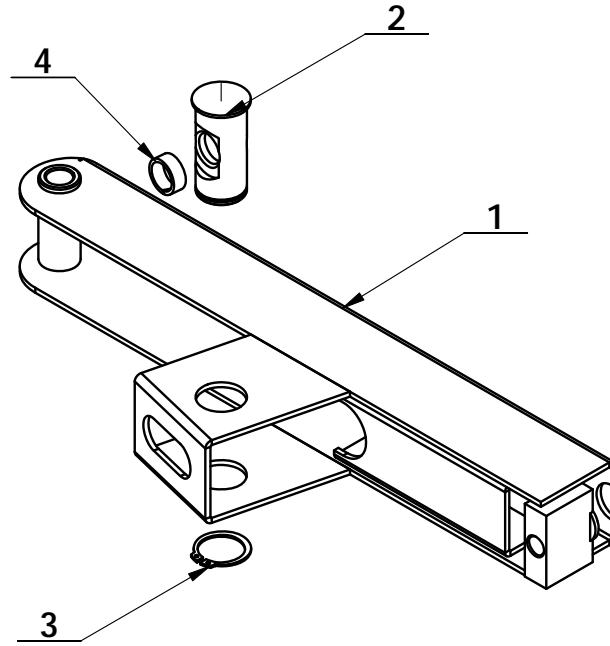


ITEM	PART. No	DESCRIPTION.	QT. Y
1	C-14-1100000	BODY	1
2	C-01-1200000	VERTICAL COLUMN	1
3	C-42-1300000	SWING ARM	1
4	CT-B-4000000	BEAD BREAKING ARM ASSEMBLY	1
5	CT-C-3100000	BEAD BREAKER BLADE	1
6	C-14-1000002	PROTECTIVE COVER	1
7	CT-Y-0100001	PRESS COVER	1
8	CT-Y-0H00000	TURNTABLE ASSEMBLY	1
9	C-14-1000003	PROTECTIVE COVER	1
10	C-14-1000001	SIDE PANEL	1
11	C-10-1000003	RUBBER LATE	1
12	CT-LS-7000000	BEAD BREAKER CYLINDER ASSEMBLY	1
13	CT-D-2100000	PEDAL ASEMBLY	1
14	CT-Q-1000000	AIR GUIDER (LC MODEL)	1
15	CT-C-3000001	ROTATION SPINDLE	1
16	CT-Q-0000001	CLAMP RING	1
17	C-54-1000002	ADJUSTING WASHER	2
18	C-42-1000002	ROCKER VERTICAL SHAFT	1
19	C-54-1000009	SHAFT WASHER	1
20	C-10-1000001	RIM SUPPORT	1
21	C-54-1300011	RUBBER COVER	1
22	CT-B-3000001	SPRING	1
23	C-90-1000001	STOP-UP	1
24	C-54-1000005	RUBBER FOOT	4
25	C-90-1000003	PLUG A	2
26	C-90-1000002	PLUG B	1
27	CT-DJ-0000007	BELT A-25	1
28	C-01-1000004	CABLE CONNECTOR	1
29	CT-F-5100000	AIR REGULATOR ASSEMBLY	1
30	CT-J-3100000	GEARBOX ASSEMBLY	1
31	CT-DJ-0334122	MOTOR ASSEMBLY	1
32	CT-DJ-0218112	MOTOR ASSEMBLY	1
33	C-60-1000002	INFLATING GUN HOOK	1
34	C-70-1000011	SEALED COVER	1

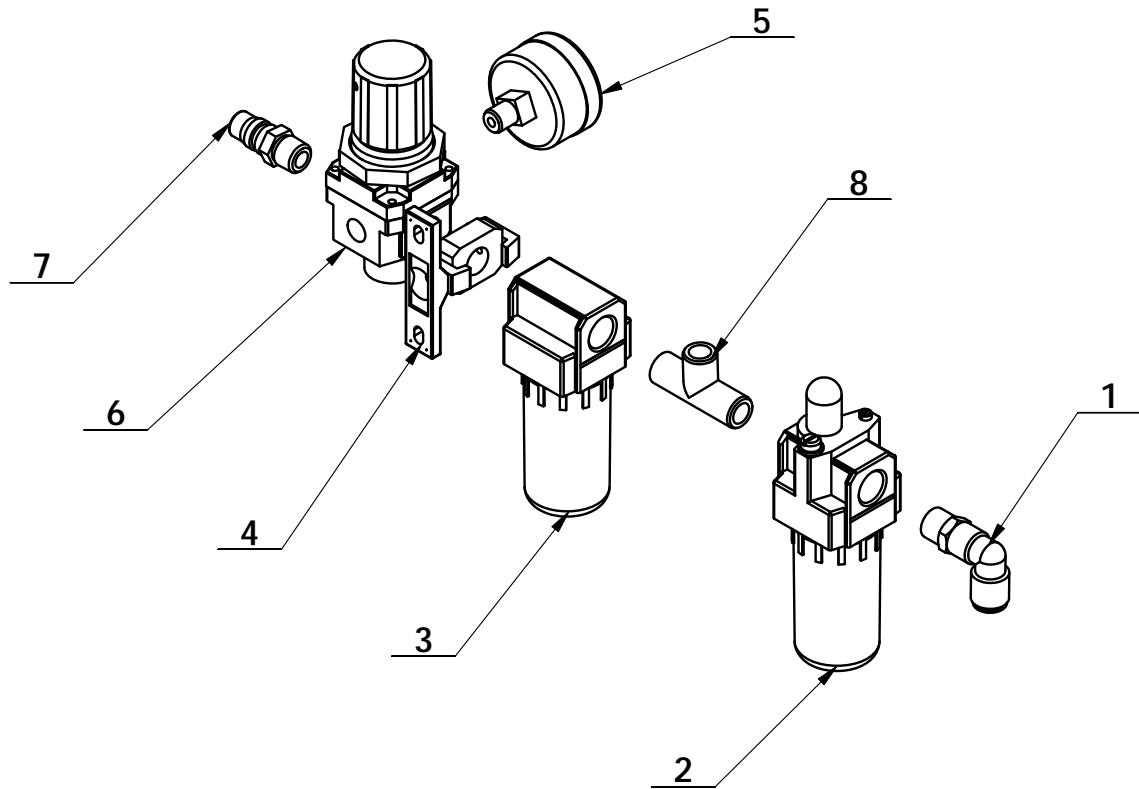
ITEM	PART. No	DESCRIPTION.	QT. Y
35	C-01-100000B	CIRCLIP	1
36	C-01-1000003	POWER CABLE ASSEMBLY	1
37	GB93-10	STANDARD SPRING WASHER	2
38	GB95-10	FLAT WASHER	16
39	GB889. 1-M16	1-TYPE PREVAILING TORQUE TYPE HEXAGON LOCK NUT	1
40	GT70. 1 M10×25	INNER HEXA CYLINDRICAL SCREW	2
41	GB95-6	FLAT WASHER	6
42	GB93-6	STANDARD SPRING WASHER	4
43	GB70. 1-M6×16	INNER HEXA CYLINDRICAL SCREW	12
44	GB95-8	FLAT WASHER	3
45	GB93-8	STANDARD SPRING WASHER	3
46	GB5781-M8×20	HEXANGULAR BOLT	3
47	GB41-M8	HEXANGULAR NUT	4
48	CT-LS-1000012	SCREWS M14X42	2
49	GB41-M14	HEXANGULAR NUT	2
50	GB889. 2-M18×1. 5	1-TYPEPREVAILING TORQUE TYPE HEXAGON LOCK NUT, SMALL TOOTH	1
51	GB955-14	WAVE-FORM SPRING WASHER	1
52	GB85-M6×12	SQUARE HEAD CYLINDRICAL TERMINUS SET SCREW	1
53	GB818-M5×12-H	CROSS PANHEAD SCREW	2
54	GB882-18×100	PIN SHAFT	1
55	GB95-12	FLAT WASHER	4
56	GB93-12	STANDARD SPRING WASHER	4
57	GB5781-M12×30	HEXANGULAR BOLT	4
58	GB1096-C12×8×45	COMMON FLAT KEY	1
59	GB41-M10	HEXANGULAR NUT	14
60	GB5780- M10X200-N	BOLT M10X200	4
61	GB96. 1-10	LARGE WASHER A GRADE	6
62	GB5780 M10X160-N	BOLT M10X160	2
63	GB95-5	FLAT WASHER	2
64	GB5781-M5×12	HEXANGULAR BOLT	1
65	C-01-1500004	OPEN NUT	1
66	C-01-1500003	RING D13XD7X4	1
67	GB70. 1-M6×35	INNER HEXA CYLINDRICAL SCREW	2
68	GB70. 1-M12×30	INNER HEXA CYLINDRICAL SCREW	1



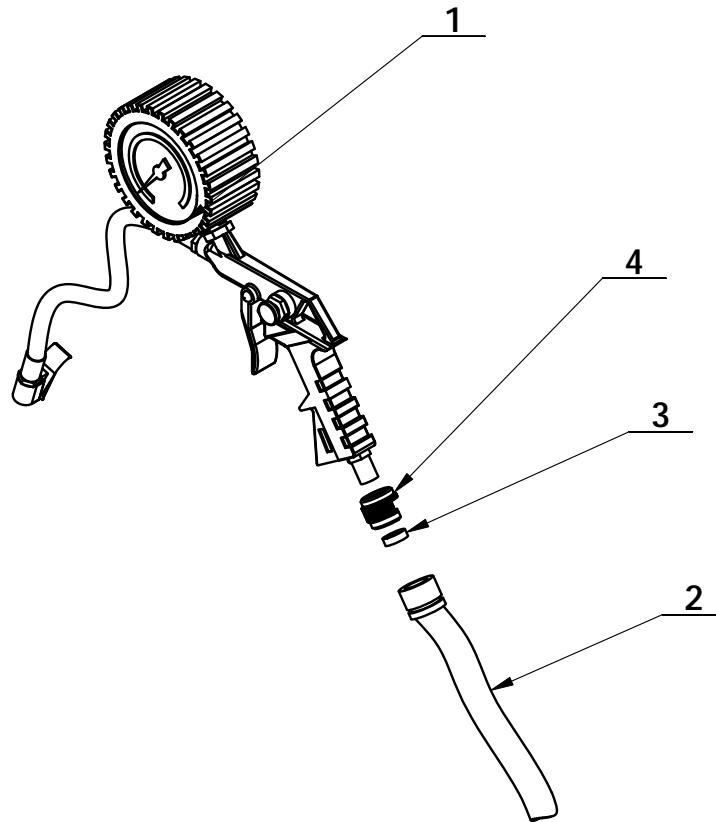
ITEM	PART. No	DESCRIPTION.	QT. Y
1	GB70.1 M10×30	INNER HEXA CYLINDRICAL SCREW	1
2	C-54-1300005	VERTICAL SHAFT COVER	1
3	C-42-1300003	VERTICAL SHAFT SPRING	1
4	C-42-1300002	HEXAGON SHAFT	1
5	C-42-1310000	SWING ARM	1
6	GB894.1-25	SHAFT ELATIC BIG RETAINING RING A-TYPE	1
7	C-54-1320000	LOCK HANDLE	1
8	C-54-1300011	RUBBER COVER	1
9	GB77-M12×16	INNER HEXA FLAT TERMINUS SET SCREW	2
10	C-42-1320001	DEMOUNTING HEAD	1
11	C-54-1300008	PRESS WASHER	1
12	GB93-10	STANDARD SPRING WASHER	1
13	GT5781 M10×25	HEXANGULAR BOLT	1
14	C-54-1300012	ROLLER BOLT	1
15	C-54-1300009	ROLLER	1
16	GB77 M12×12	INNER HEXA FLAT TERMINUS SET SCREW	2
17	C-54-1300007	SHOCK ABSORBER WASHER	1
18	C-42-1300004	DECORATING COVER	1
19	C-54-1300003	VERTICAL SHAFT SPRING	1
20	C-54-1300004	HEXAGON LOCK PLATE	1
21	GB95-10	FLAT WASHER	2
22	GB41-M10	HEXANGULAR NUT	1
23	GB889.1-M10	1-TYPE PREVAILING TORQUE TYPE HEXAGON LOCK NUT	2
24	GB70.1 M10×70	INNER HEXA CYLINDRICAL SCREW	1



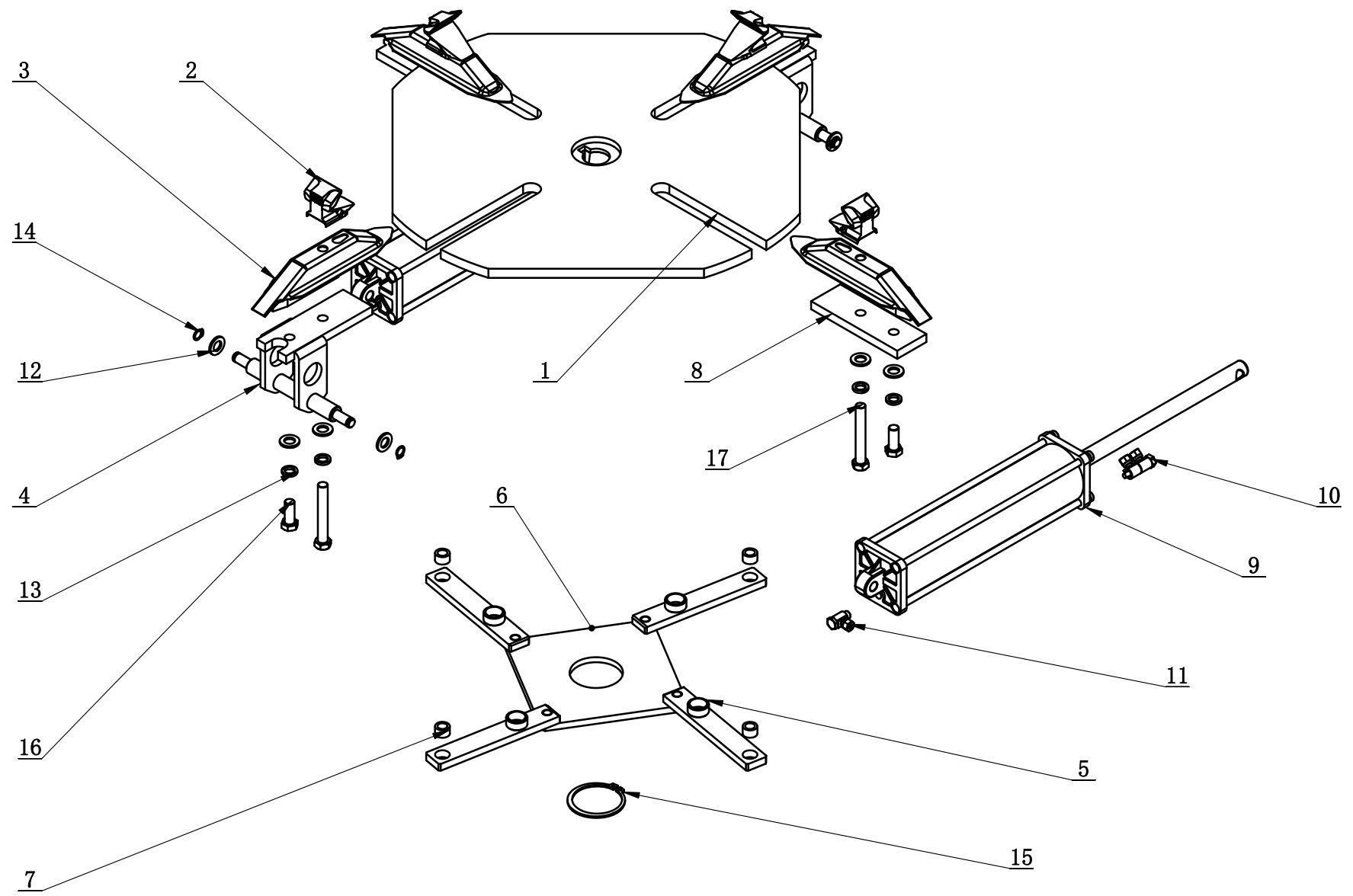
ITEM	PART. No	DESCRIPTION.	QT. Y
1	CT-B-4100000	BEAD BREAKING ARM ASSEMBLY	1
2	CT-B-4000001	BEAD BREAKING ARM SLIDE BUSHING	1
3	GB894. 1-34	SHAFT ELATIC BIG RETAINING RING A-TYPE	1
4	CT-B-2000001	SLIDE SPACER	1



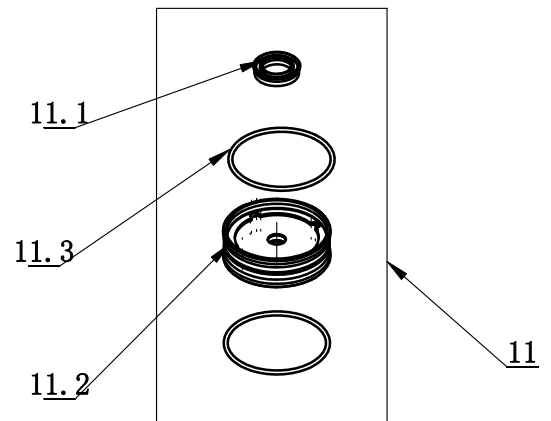
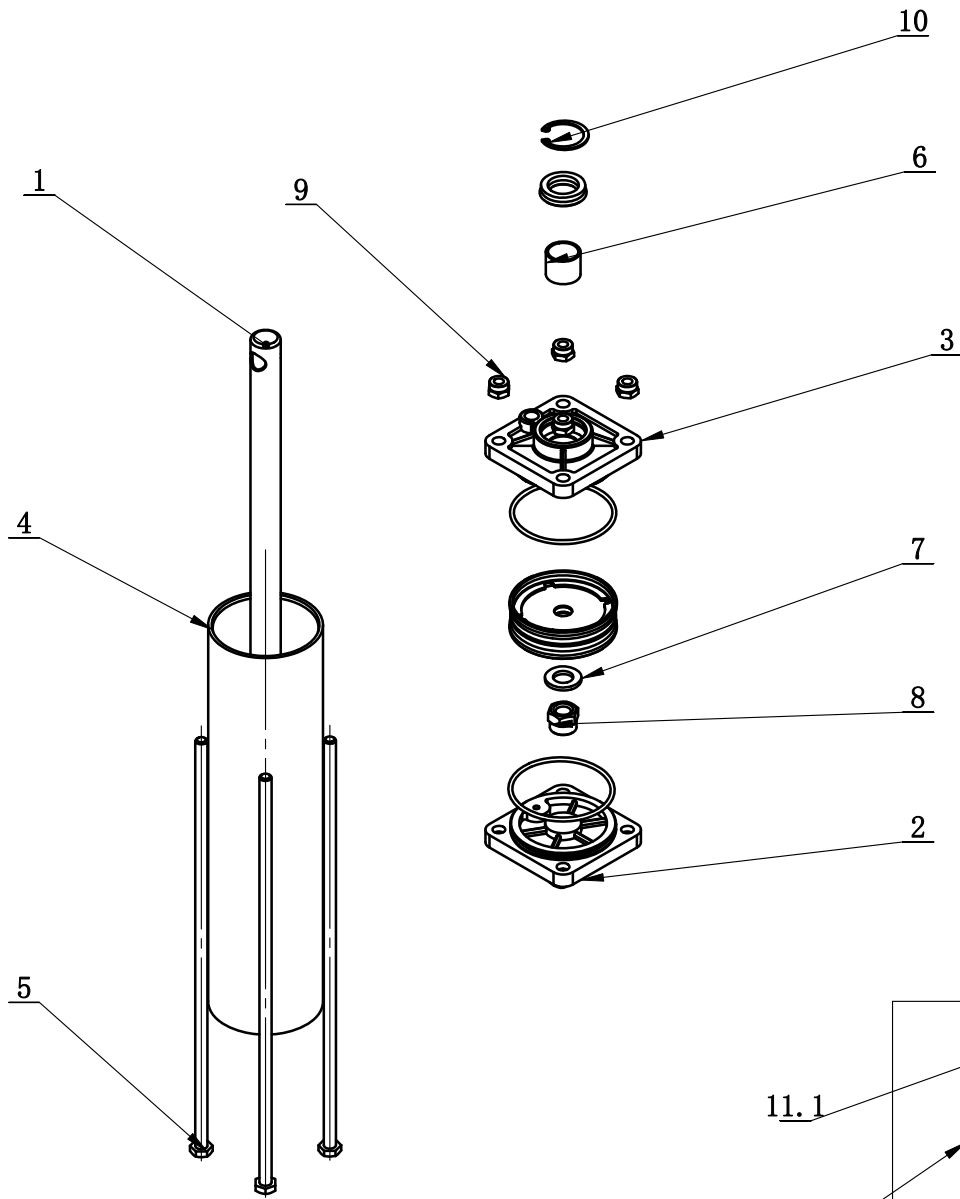
ITEM	PART. No	DESCRIPTION.	QT. Y
1	FPL 8-02	INSERT ELBOW $\Phi 8$, R1/4	1
2	CT-F-5100002	OIL CUP	1
3	CT-F-5100001	WATER CUP	1
4	CT-F-5100003	BRACKET	1
5	CT-F-3210003	PRESSURE GAUGE	1
6	CT-F-5100004	ADJUSTING VALVE	1
7	C-01-100000D	AIR SUPPLY CONNECTOR	1
8	PEH 02-02	TEE R1/4	1



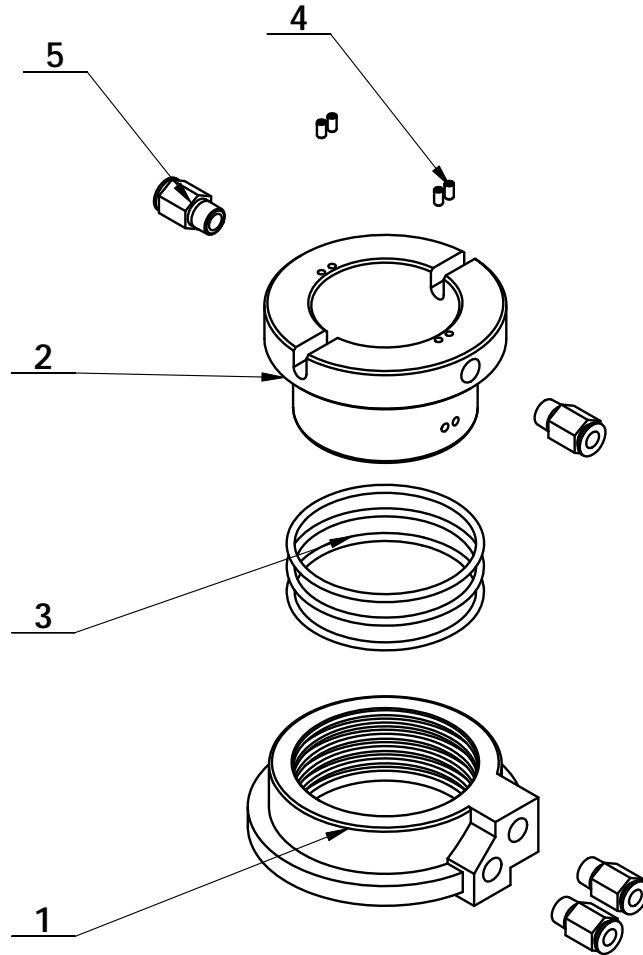
ITEM	PART. No	DESCRIPTION.	QT. Y
1	C-01-1500001	INFLATING GUN	1
2	C-01-1500002	INFLATION HOSE	1
3	C-01-1500003	RING D13XD7X4	1
4	C-01-1500004	OPEN NUT	1



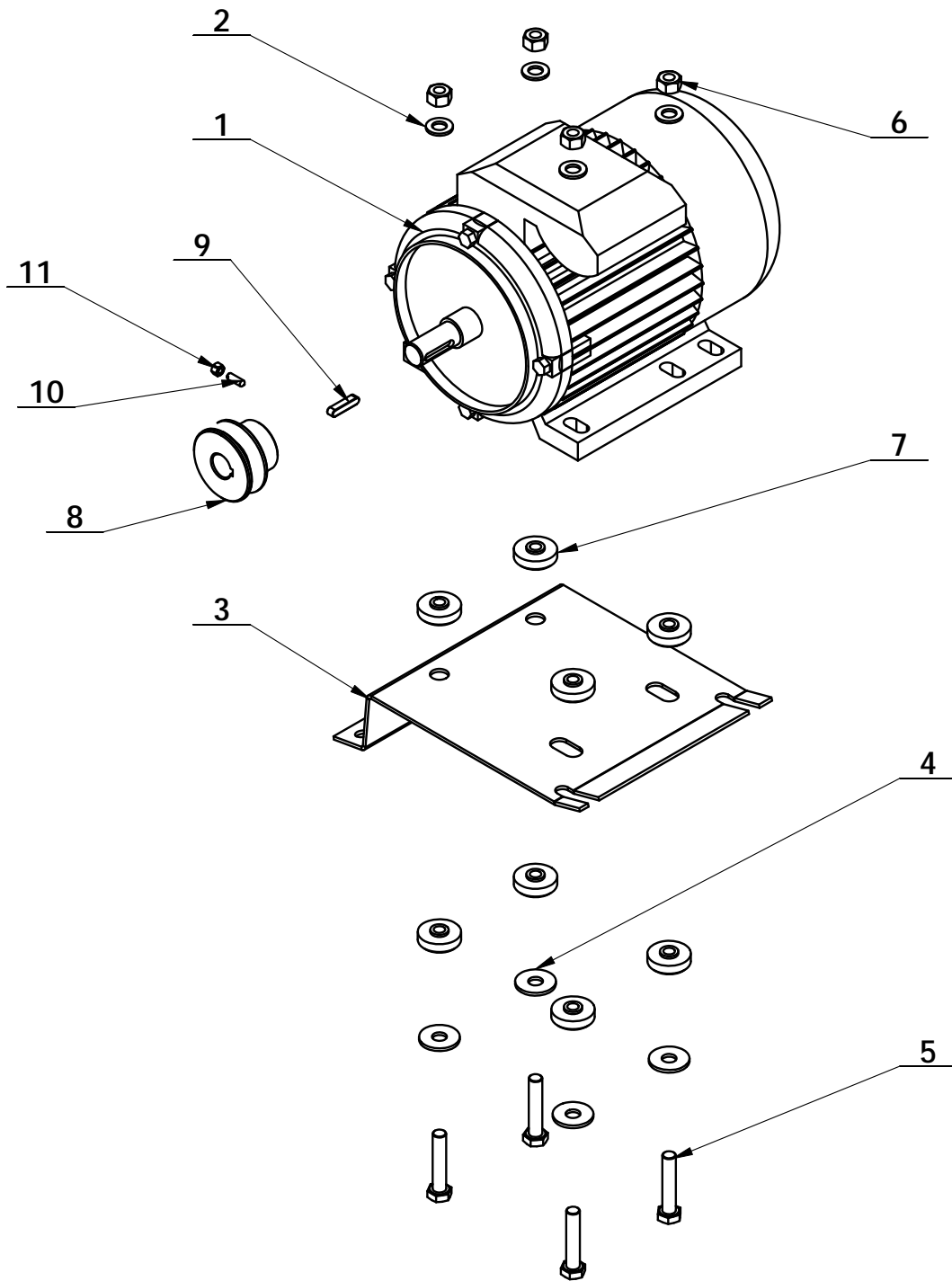
ITEM	PART. No	DESCRIPTION.	QT. Y
1	C-20-1110000	TURNTABLE	1
2	CT-Y-0100002	CLAMP	4
3	CT-Y-0120000	SLIDE COVER	4
4	CT-Y-0130000	CYLINDER BRACKET	2
5	CT-Y-0140000	CONNECTION PLATE	4
6	CT-Y-0150000	SQUARE TURNTABLE	1
7	CT-Y-0100003	SPACER	4
8	CT-Y-0100004	PRESS PLATE	2
9	CT-Y-0160000	CYLINDER ASSEMBLY	2
10	CT-Y-0100005	HINGE TEE $\Phi 6$ R1/8"	2
11	CT-Y-0100006	HINGE ELBOW $\Phi 6$ R1/8"	2
12	GB95-12	FLAT WASHER	12
13	GB93-12	STANDARD SPRING WASHER	8
14	GB894. 1-12	SHAFT ELATIC BIG RETAINING RING A-TYPE	4
15	GB894. 1-65	SHAFT ELATIC BIG RETAINING RING A-TYPE	1
16	GB5781-M12×30	HEXANGULAR BOLT	4
17	GB5780 M12X83	HEXANGULAR BOLT	4



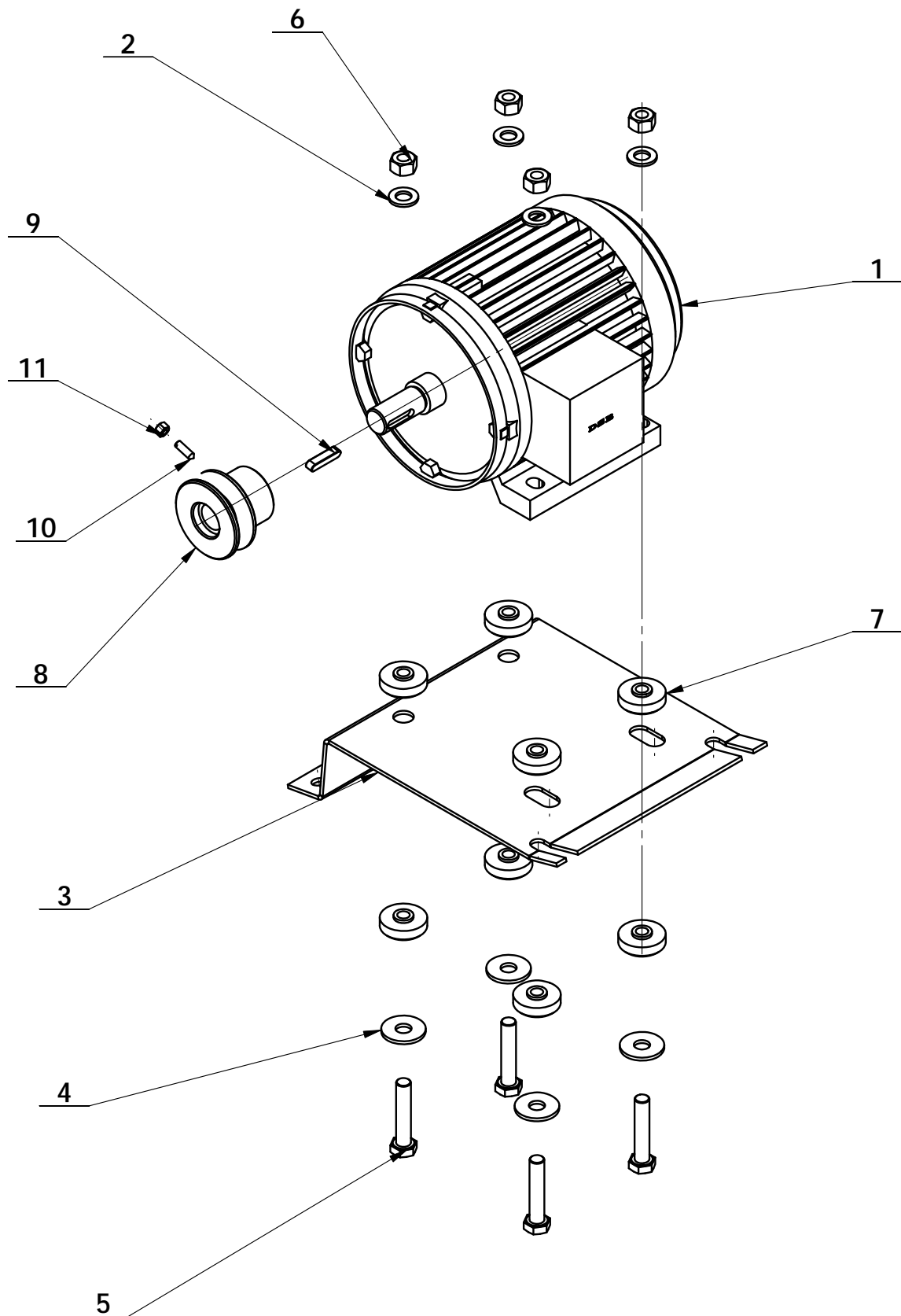
ITEM	PART. No	DESCRIPTION.	QT. Y
1	CT-Y-0160001	SHAFT-CYLNR	1
2	CT-Y-0160003	REAR COVER	1
3	CT-Y-0160002	FRONT COVER	1
4	CT-Y-0160006	SLEEVE-CYLNR 70	1
5	CT-Y-0160004	BOLT	4
6	JH1 2020	BEARING-SLIDE	1
7	GB95-12	FLAT WASHER	1
8	GB889. 1 M12	1-TYPE PREVAILING TORQUE TYPE HEXAGON LOCK NUT	1
9	GB889. 1-M8	1-TYPE PREVAILING TORQUE TYPE HEXAGON LOCK NUT	4
10	GB893. 1-30	ELASTIC RETAINING RING A-TYPE	1
11	CT-Y-1121000	CYLINDER SEALING PARTS ASSEMBLY	1
11. 1	CT-Y-0160007	SEAL-ROD, CYLNR	1
11. 2	CT-Y-0161000	PISTON-W/WSHR, ASSY	1
11. 3	GB3452. 1-65×2. 65-G	HYDRAULIC-PNEUMATIC RUBBER O-RING G TYPE	2



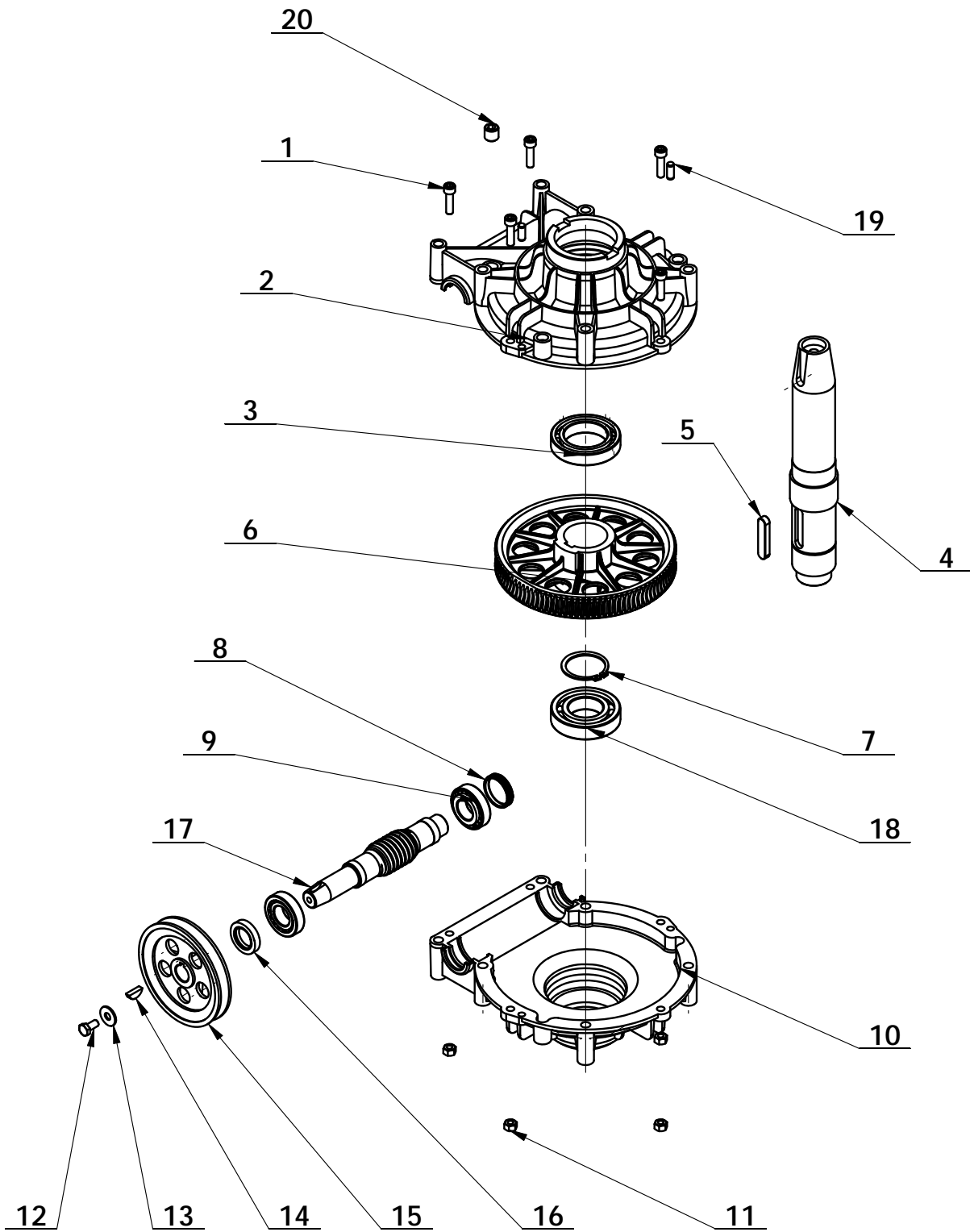
ITEM	PART. No	DESCRIPTION.	QT. Y
1	CT-Q-1000002	AIR GUIDE EXTERNAL COVER	1
2	CT-Q-1000001	AIR GUIDE ROTATION BUSHING	1
3	GB3452. 1-60×2. 65-G	HYDRAULIC-PNEUMATIC RUBBER O-RING G TYPE	3
4	GB73- M3×6	SLOTTED FLATTEN HEAD SET SCREW	4
5	FPC 6-01	INSERT FITTING $\Phi 6, R1/8$	4



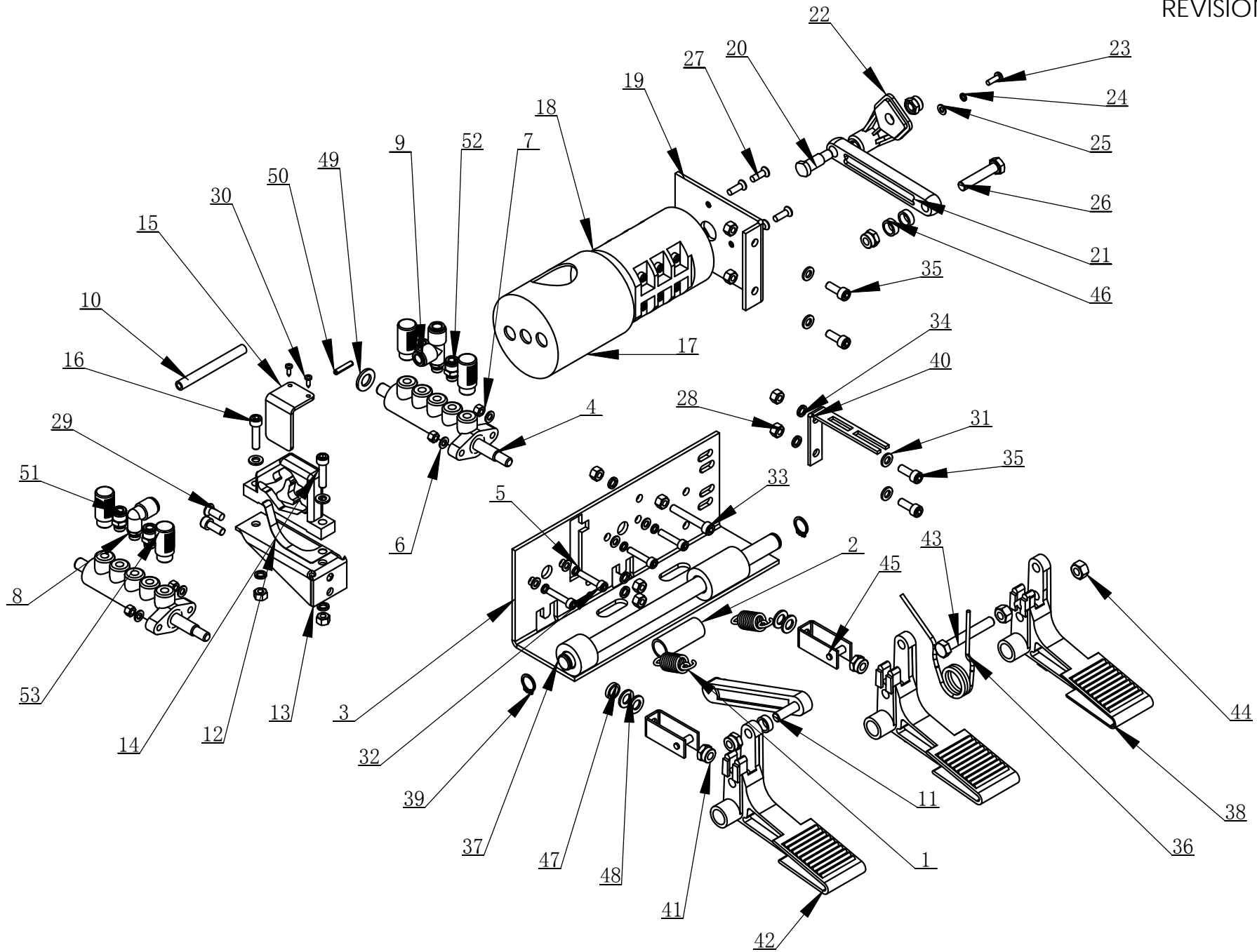
ITEM	PART. No	DESCRIPTION.	QT. Y
1	CT-DJ-0018112	MOTOR (220V) 50Hz	1
2	GB95-10	FLAT WASHER	4
3	CT-DJ-0000001	MOTOR SUPPORT	1
4	GB96.2-10	LARGE WASHER C GRADE	4
5	GB5781-M10×50	HEXANGULAR BOLT	4
6	GB41-M10	HEXANGULAR NUT	4
7	CT-DJ-0000002	RUBBER WASHER	8
8	CT-DJ-0000003	MOTOR BELT PULLEY	1
9	GB1096-6×6×28	COMMON FLAT KEY	1
10	GB71-M5×16	SLOTTED CONIC HEAD SET SCREW	1
11	GB41-M5	HEXANGULAR NUT	1



ITEM	PART. No	DESCRIPTION.	QT. Y
1	CT-DJ-0034122	MOTOR (380V) 50Hz	1
2	GB95-10	FLAT WASHER	4
3	CT-DJ-0000001	MOTOR SUPPORT	1
4	GB96.2-10	LARGE WASHER C GRADE	4
5	GB5781-M10×50	HAXANGULAR BOLT	4
6	GB41-M10	HEXANGULAR NUT	4
7	CT-DJ-0000002	RUBBER WASHER	8
8	CT-DJ-0000004	MOTOR BELT PULLEY	1
9	GB1096-6×6×28	COMMON FLAT KEY	1
10	GB71-M5×16	SLOTTED CONIC HEAD SET SCREW	1
11	GB41-M5	HEXANGULAR NUT	1

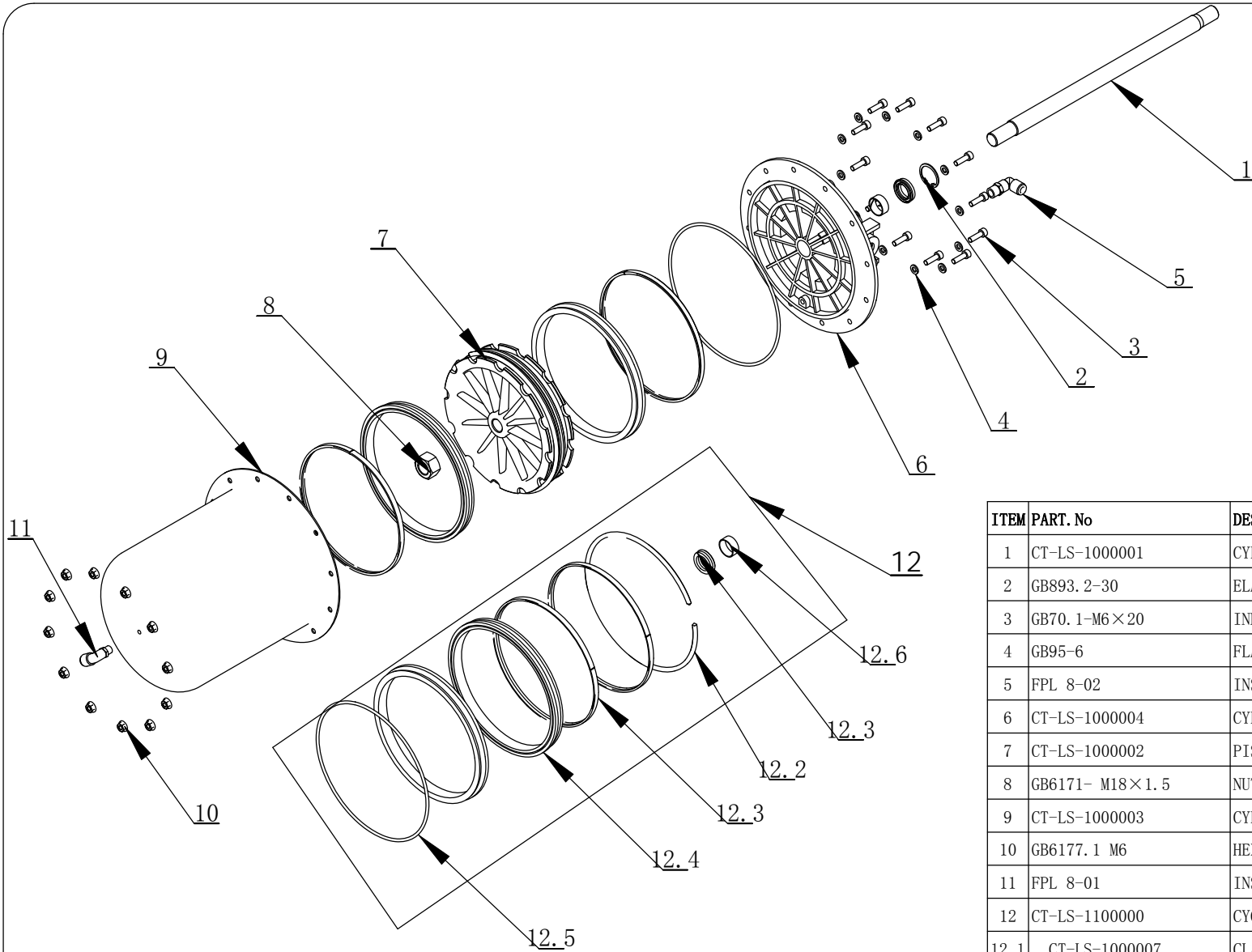


ITEM	PART. No	DESCRIPTION.	QT. Y
1	GB70. 1-M8×30	INNER HEXA CYLINDRICAL SCREW	5
2	CT-J-0000006	GEARBOX TOP	1
3	GB276-6010	DEEP GROOVE BALL BEARINGS	1
4	CT-J-0000001	WORM SHAFT	1
5	GB1096-12×8×56	COMMON FLAT KEY	1
6	CT-J-0000003	WORM	1
7	GB894. 1-50	SHAFT ELATIC BIG RETAINING RING A-TYPE	1
8	CT-J-0100000	CAP	1
9	GB297-30205	CYLINDRICAL BALL BEARING	2
10	CT-J-0000005	GEARBOX TOP	1
11	GB41-M8	HEXANGULAR NUT	5
12	GB5781 M8×16	HEXANGULAR BOLT	1
13	GB96. 2-8	LARGE WASHER C GRADE	1
14	GB1099. 1-6×9×22	COMMON SEMI-CIRCULAR KEY	1
15	CT-J-0000008	BELT PULLEY	1
16	FB25-40 GB13871. 92	SEALED RING	1
17	CT-J-0000004	WORM ROD	1
18	GB276-6208	DEEP GROOVE BALL BEARINGS	1
19	GB119. 1-8×20	CYLINDRICAL PIN	2
20	GB77-M16X1. 5-16	SCREW M16X1. 5X15	1

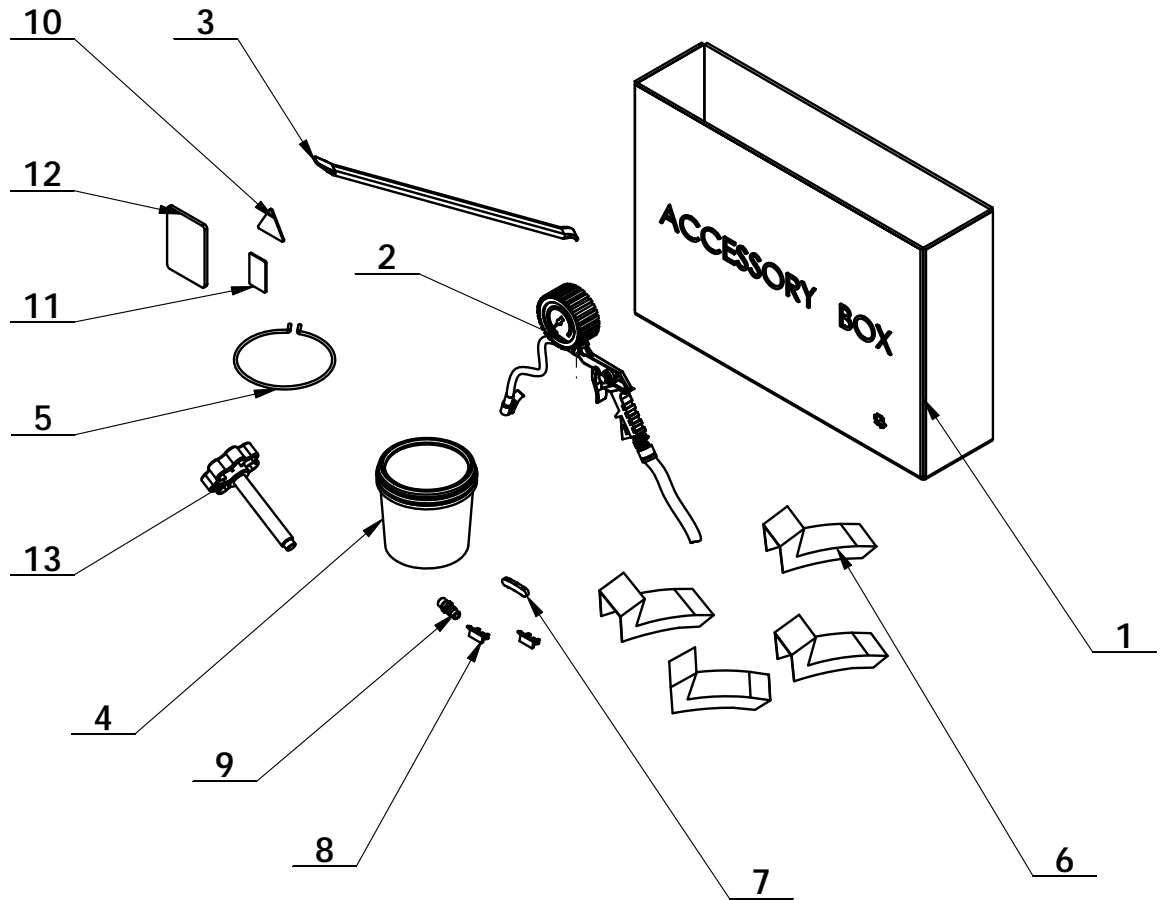


ITEM	PART. No	DESCRIPTION.	QT. Y
1	CT-D-2100003	SPRING	2
2	CT-D-2100001	SPACER	1
3	CT-D-2110000	PEDAL SUPPORT	1
4	CT-D-2140000	VALVE	2
5	GB93-5	STANDARD SPRING WASHER	4
6	GB95-5	FLAT WASHER	8
7	GB41-M5	HEXANGULAR NUT	4
8	FPL 8-01	INSERT ELBOW $\Phi 8$, R1/8"	1
9	FPD 8-01	FITTING-TEE $\Phi 8$, R1/8	1
10	CT-D-2100013	HOSE 8-5MM	1
11	CT-D-1100008	VALVE CONNECTING ROD	1
12	CT-D-2100004	FORK SPRING PLATE	1
13	CT-D-2120000	CAM BRACKET	1
14	CT-D-1100009	CAM	1
15	CT-D-1100011	CAM PLATE	1
16	GB/T 70.1- M6×25	INNER HEXA CYLINDRICAL SCREW	2
17	CT-D-1100014	SWITCH COVER	1
18	CT-D-1100018	SWITCH	1
19	CT-D-2100008	SWITCH SUPPORT	1
20	CT-D-2100012	ROTATION SHAFT	1
21	CT-D-2100011	CONNECTION ROD	1
22	CT-D-1100010	REVERSE LEVER 8	1
23	GB/T 818- M4×12-H	CROSS PANHEAD SCREW	1
24	GB93-4	STANDARD SPRING WASHER	1
25	GB95-4	FLAT WASHER	1
26	GB5781-M8×40	HEXANGULAR BOLT	1
27	GB819.1-M5×16-H	CROSS COUNTERSUNK SCREW STEEL 4.8 GRADE	4
28	GB/T 41-2000 - M6	HEXANGULAR NUT	10
29	GB819.1-M6×16-H	CROSS COUNTERSUNK SCREW STEEL 4.8 GRADE	1
30	GB845-ST2.9×9.5 H C	CROSS PANHEAD TAPPING SCREW	2

ITEM	PART. No	DESCRIPTION.	QT. Y
31	GB95-6	FLAT WASHER	6
32	GB70. 1-M5×25	INNER HEXA CYLINDRICAL SCREW	4
33	GB70. 1-M6×40	INNER HEXA CYLINDRICAL SCREW	1
34	GB93-6	STANDARD SPRING WASHER	7
35	GB70. 1-M6×16	INNER HEXA CYLINDRICAL SCREW	5
36	CT-D-2100002	TORSION SPRING	1
37	CT-D-2100009	BOTTOM SHAFT	1
38	CT-D-2100006	PEDAL	1
39	GB894. 1-14	SHAFT ELATIC BIG RETAINING RING A-TYPE	2
40	CT-D-2100010	TORSION SPRING BRACKET	1
41	GB889. 1-M8	1-TYPE PREVAILING TORQUE TYPE HEXAGON LOCK NUT	5
42	CT-D-2100007	PEDAL	2
43	GB5782-M8×55	HEXANGULAR BOLT	1
44	GB41-M8	HEXANGULAR NUT	2
45	CT-D-2130000	BRACKET	2
46	CT-D-2100005	SPACER	3
47	CT-D-1100016	SPACER	1
48	GB95-8	FLAT WASHER	4
49	GB95-10	FLAT WASHER	1
50	GB879. 1-4×20	ELASTIC CYLINDRICAL PIN, HEAVY	1
51	FPC 6-01	INSERT FITTING Φ8, R1/8	2
52	FPC 8-01	INSERT FITTING Φ8, R1/8	2
53	FSK 01	MUFFLER G1/8	4



ITEM	PART. No	DESCRIPTION.	QT. Y
1	CT-LS-1000001	CYLINDER PISTON ROD	1
2	GB893. 2-30	ELASTIC RETAINING RING B-TYPE	1
3	GB70. 1-M6×20	INNER HEXA CYLINDRICAL SCREW	12
4	GB95-6	FLAT WASHER	12
5	FPL 8-02	INSERT ELBOW Φ8, R1/4	1
6	CT-LS-1000004	CYLINDER COVER	1
7	CT-LS-1000002	PISTON	1
8	GB6171- M18×1.5	NUT M18X1.5	1
9	CT-LS-1000003	CYLINDER BODY	1
10	GB6177. 1 M6	HEXA FLANGE NUT	12
11	FPL 8-01	INSERT ELBOW Φ8, R1/8	1
12	CT-LS-1100000	CYCLINDER SEALING PARTS ASSEMBLY	1
12.1	CT-LS-1000007	CLAMP RING	2
12.2	CT-LS-1000008	PISTION SUPPORT RING	1
12.3	CT-Y-0160007	SEAL-ROD, CYLNDR	1
12.4	CT-LS-1000011	Y-RING	2
12.5	GB3452. 1-185×3.55-G	HYDRAULIC-PNEUMATIC RUBBER O-RING G TYPE	1
12.6	CT-LS-1000009	GUIDER SPACER	1



ITEM	PART. No	DESCRIPTION.	QT. Y
1	C-01-8000001	ACCESSORY BOX	1
2	C-01-1500000	INFLATING GUN ASSY	1
3	C-01-1000008	CROWBAR 20 "	1
4	C-01-1300000	GREASE CONTAINER	1
5	C-01-1000005	BRACKET	1
6	C-01-8000002	CLAMP PROTECTION COVER	4
7	CT-S-8000002	PLASTIC COVER	1
8	CT-S-8000001	SHEATH	2
9	C-01-100000D	AIR SUPPLY CONNECTOR	1
10	C-30-8000002	PASS CARD	1
11	C-30-8000003	GUARANTEE	1
12	C-14-8000001	MANUAL INSTRUCTION	1
13	C-01-1600000	HANDLE WHEEL	1